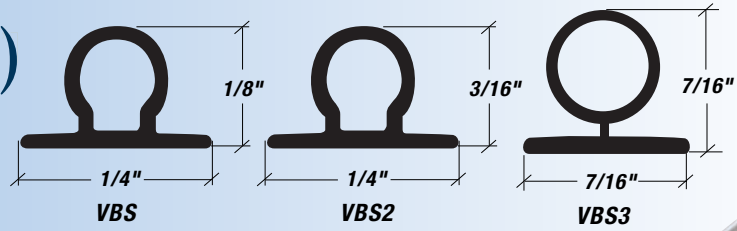
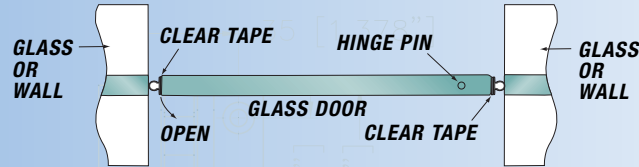


Bulb Seal (Dual Durometer)

Use this clear Bulb Seal between the door and the wall on the hinge side or on the strike side. Attach rigid side to glass. Soft bubble provides a watertight seal. To attach use Crystal Clear Two-Way Tape for a positive, long lasting bond. (See page 85). 98" (2.49 m) stock length.



Product Code	Glass Thickness
VBS	N/A
VBS2	N/A
VBS3	N/A

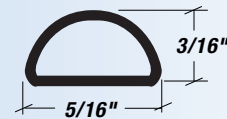


Translucent Silicone Bulb Seal

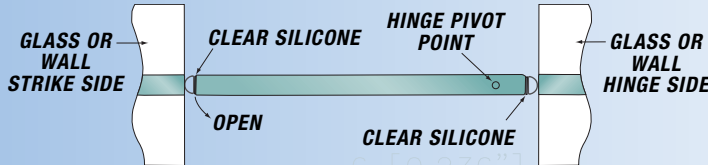
NEW!

Translucent Silicone Bulb Seal can be used on inswing or outswing doors to close gaps from 1/16" to 3/16" (1.6 to 5 mm). 98" (2.49 m) stock length

Note: Adhere flat base to glass edge or wall using clear silicone only, not tape.



Product Code	Glass Thickness
SBS	N/A

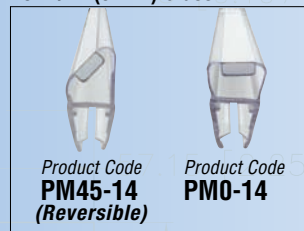


Magnetic Seals for 1/4" to 3/8" (6 to 10 mm) Glass

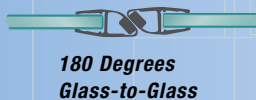
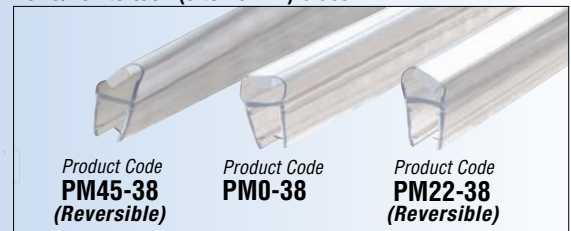
NEW!

- Made of Co-Extruded Plastic with Soft Magnetic Receiver
- Provides Positive Door Closure
- Mix and Match Configurations to Achieve Desired Result
- 78" (1.98 m) Stock Lengths

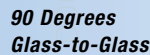
For 1/4" (6 mm) Glass



For 5/16" to 3/8" (8 to 10 mm) Glass



Top Views



For 1/4" to 5/16" (6 to 8 mm) Thick Glass

Angle	Profiles Required	Configuration
180 Degrees	PM45-14 + PM45-14	Door opens in one direction only
180 Degrees	PM0-14 + PM0-14	Door opens in both directions
135 Degrees	PM45-14 + PM0-14	Door opens out only
90 Degrees	PM45-14 + PM45-14	Door opens out only

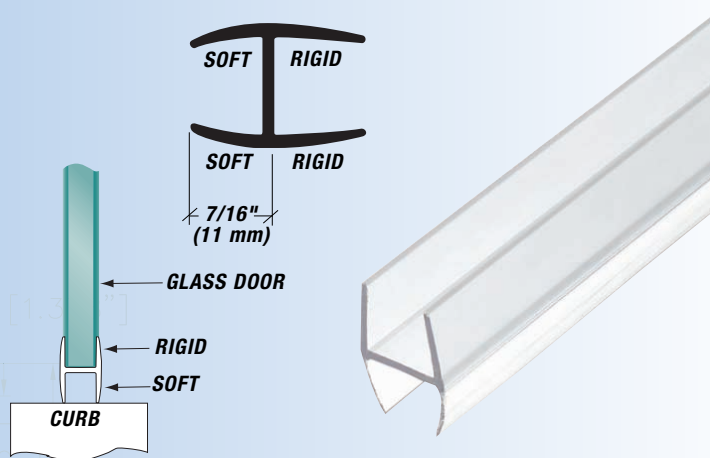
For 5/16" to 3/8" (8 to 10 mm) Thick Glass

Angle	Profiles Required	Configuration
180 Degrees	PM45-38 + PM45-38	Door opens in one direction only
180 Degrees	PM0-38 + PM0-38	Door opens in both directions
135 Degrees	PM22-38 + PM22-38	Door opens out only
90 Degrees	PM45-38 + PM45-38	Door opens out only

"H" Wipe (Dual Durometer)

This multi-purpose clear "H" Wipe can be used in numerous applications; as a bottom sweep, a top seal on the door in a steam enclosure, or as a vertical seal on the door or fixed panel. 98" (2.49 m) stock length.

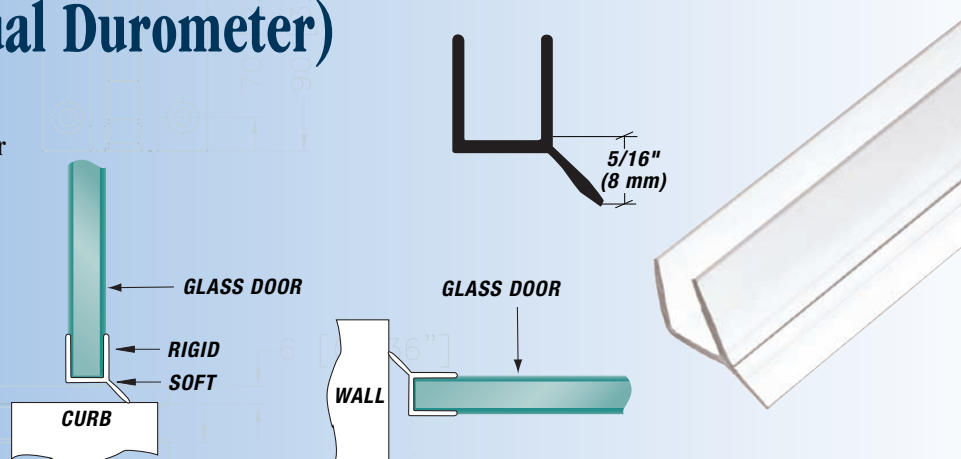
Product Code	Glass Thickness
HW-14	1/4" (6 mm)
HW-516	5/16" (8 mm)
HW-38	3/8" (10 mm)
HW-12	1/2" (12 mm)



Seal and Wipe (Dual Durometer)

Use this clear PVC Seal and Wipe between the door and the wall on the hinge side or on the bottom of the door as a wipe. 98" (2.49 m) stock length.

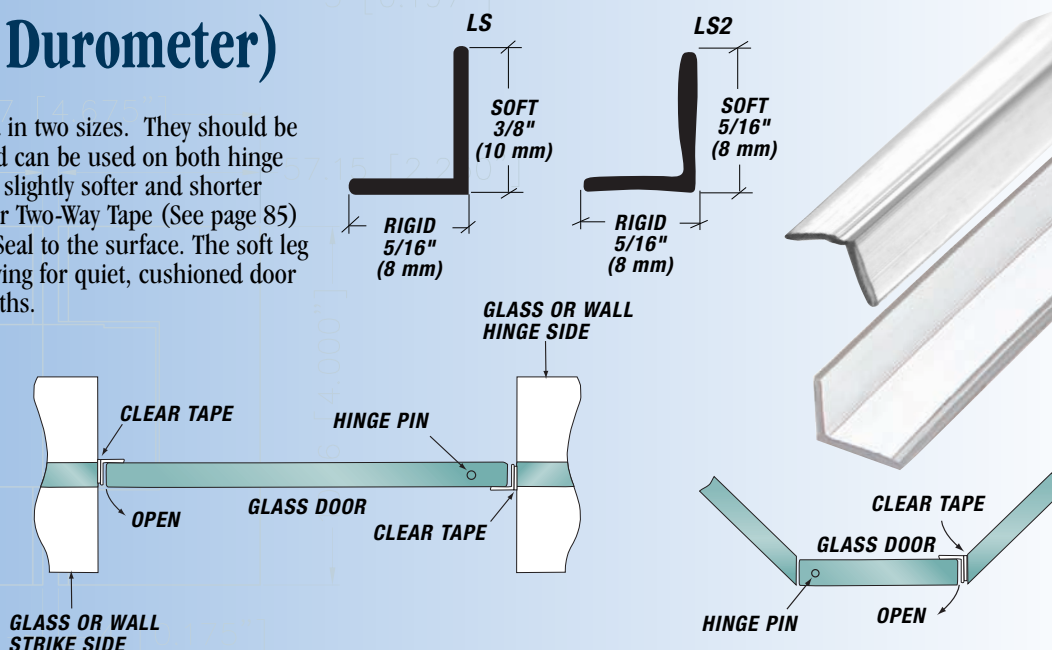
Product Code	Glass Thickness
PSW-14	1/4" (6 mm)
PSW-516	5/16" (8 mm)
PSW-38	3/8" (10 mm)
PSW-12	1/2" (12 mm)



"L" Seal (Dual Durometer)

Translucent "L" Seals are offered in two sizes. They should be used on outswing doors only, and can be used on both hinge and strike side jambs. LS2 has a slightly softer and shorter sealing leg than LS. Use our Clear Two-Way Tape (See page 85) to apply the rigid leg on the "L" Seal to the surface. The soft leg of the "L" will act as a seal, allowing for quiet, cushioned door closure. 98" (2.49 m) stock lengths.

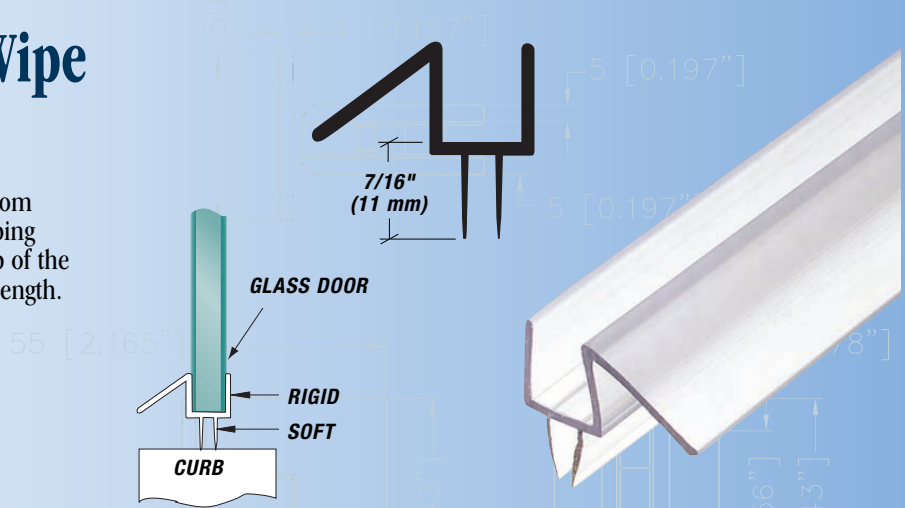
Product Code	Glass Thickness
LS	N/A
LS2	N/A



Drip Rail With Dual Wipe (Dual Durometer)

Snap this Drip Rail with Dual Wipe onto the bottom of the door. The 45° deflector will assist in keeping water in the shower. May also be used on the top of the door in steam applications. 98" (2.49 m) stock length.

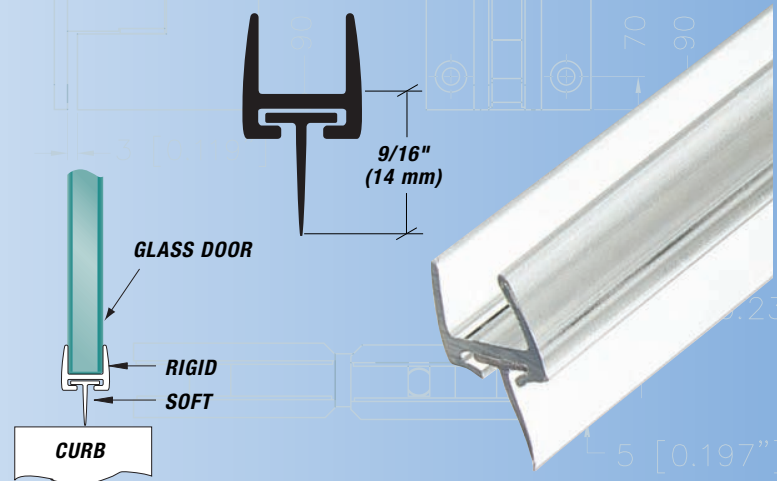
Product Code	Glass Thickness
PDR-14	1/4" (6 mm)
PDR-516	5/16" (8 mm)
PDR-38	3/8" (10 mm)
PDR-12	1/2" (12 mm)



Polycarbonate Bottom Rail With T-Wipe

Snap this Clear Polycarbonate Bottom Wipe onto the bottom of the door to create a tight seal. May also be used on top of the door for a seal in a steam enclosure. 98" (2.49 m) stock length.

Product Code	Glass Thickness
PBR-516	5/16" (8 mm)
PBR-38	3/8" (10 mm)
PBR-12	1/2" (12 mm)



One-Piece Bottom Rail With Integrated Wipe

This ultra clear One-Piece Bottom Rail is snapped on the bottom of the door to achieve a seal. Because it is a single piece sweep, it means the vinyl seal that hangs down from the sweep will firmly direct the water back into the shower enclosure. 98" (2.49 m) stock length.

Product Code	Glass Thickness
PBRI-38	3/8" (10 mm)
PBRI-12	1/2" (12 mm)

