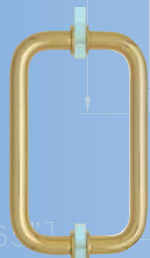


## Deluxe Solid Brass Back-to-Back Handles

**NEW!**



With Metal Style Washers



Without Metal Style Washers

**3/4" (19 mm) Diameter with or without Style Washers**  
**1" (25 mm) Diameter without Style Washers**

- Designed for 1/4" to 1/2" (6 to 12 mm) Glass
- Stainless Steel Installation Hardware
- Includes Allen Wrench for Installation
- 3/4" (19 mm) Diameter Handle Requires 3/8" or 1/2" (10 or 12 mm) Holes for Installation
- 1" (25 mm) Diameter Handle Requires 5/8" (16 mm) Holes for Installation
- 3/4" Available in 6" and 8" (152 and 203 mm) Center-to-Center Sizes
- 1" (25 mm) Diameter Handle Available in 8" (203 mm) Size Only
- Constructed of Solid Brass Material

AVAILABLE IN ALL FINISHES, See Page 3

### 3/4" (19 MM) DIAMETER HANDLES

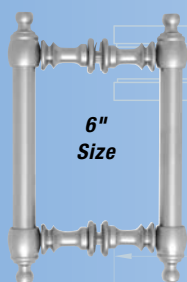
Product Code	Size (CTC)
HD-6BTBSW	6" (152 mm) With 1-1/4" (32 mm) Style Washers
HD-6BTB	6" (152 mm) Without Style Washers
HD-8BTBSW	8" (203 mm) With 1-1/4" (32 mm) Style Washers
HD-8BTB	8" (203 mm) Without Style Washers

### 1" (25 MM) DIAMETER HANDLES

Product Code	Size (CTC)
HD-8X1BTB	8" (203 mm) Without Style Washers

## Antique Style Back-to-Back Handles

**NEW!**



6" Size

Product Code  
HX-6BTB

**3/4" (19 mm) Diameter without Style Washers**

- Designed for 1/4" to 1/2" (6 to 12 mm) Glass
- Stainless Steel Installation Hardware
- Includes Allen Wrench for Installation
- Requires 1/2" (12 mm) Diameter Holes for Installation
- Available in 6" and 8" (152 and 203 mm) Center-to-Center Sizes
- Constructed of Tubular Brass Material

AVAILABLE IN ALL FINISHES, See Page 3

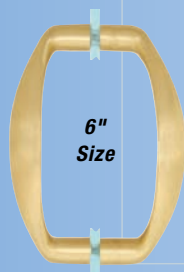


8" Size

Product Code  
HX-8BTB

## Ergonomic Style Back-to-Back Handles

**NEW!**



6" Size

Product Code  
HY-6BTB

**Contoured Profile with a Strong Appearance**

- Designed for 3/8" to 1/2" (10 to 12 mm) Glass
- Stainless Steel Installation Hardware
- Includes Allen Wrench for Installation
- 6" (152 mm) Size Requires 1/2" (12 mm) Holes for Installation
- 10" (254 mm) Size Requires 5/8" (16 mm) Holes for Installation
- Constructed of Solid Brass Material

AVAILABLE IN ALL FINISHES, See Page 3



10" Size

Product Code  
HY-10BTB

Note: Complete the above product codes by adding the desired finish code to the end.

## "H" Style Back-to-Back Handles

**NEW!**

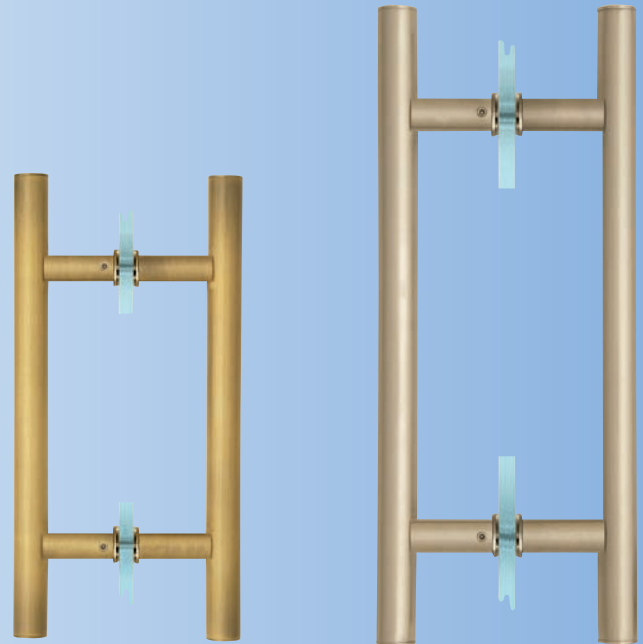
**Slim 3/4" (19 mm) Diameter Tubing in 6" and 8" (152 and 203 mm) Center-to-Center Sizes**

**Heavy 1-1/4" (32 mm) Diameter Tubing in Longer Center-to-Center Sizes**

- Designed for 3/8" to 1/2" (10 to 12 mm) Glass
- Stainless Steel Installation Hardware
- Includes Allen Wrench for Installation
- 6" and 8" (152 and 203 mm) Center-to-Center Sizes Requires 1/2" (12 mm) Diameter Holes for Installation
- 12", 24", and 36" (305, 610, and 914 mm) Center-to-Center Sizes Requires 5/8" (16 mm) Diameter Holes in Glass
- Heavy Wall Tubular Brass/Stainless Steel Construction

AVAILABLE IN ALL FINISHES, See Page 3

Product Code	Size (CTC)	Size (Overall)	Diameter
HL-6BTB	6" (152 mm)	10" (254 mm)	3/4" (19 mm)
HL-8BTB	8" (203 mm)	12" (305 mm)	3/4" (19 mm)
HL-12BTB	12" (305 mm)	24" (610 mm)	1-1/4" (32 mm)
HL-24BTB	24" (610 mm)	36" (914 mm)	1-1/4" (32 mm)
HL-36BTB	36" (914 mm)	48" (1219 mm)	1-1/4" (32 mm)



## Arch Style Back-to-Back Handles

**NEW!**

**3/4" (19 mm) Diameter Without Style Washers**

- Designed for 1/4" to 1/2" (6 to 12 mm) Glass
- Stainless Steel Installation Hardware
- Includes Allen Wrench for Installation
- Requires 1/2" (12 mm) Diameter Holes for Installation
- Heavy Wall Tubular Brass/Stainless Steel Construction
- Available in 6" and 8" (152 and 203 mm) Center-to-Center Sizes

AVAILABLE IN ALL FINISHES, See Page 3



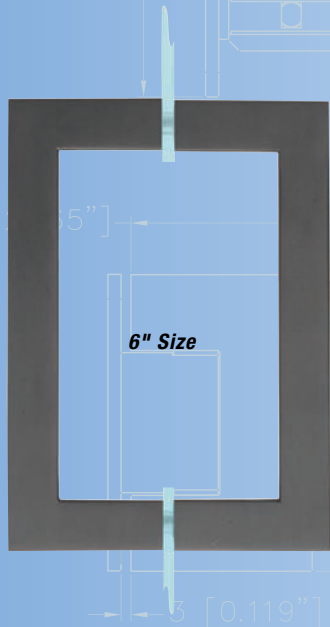
Product Code  
**HR-6BTB**

Product Code  
**HR-8BTB**

Note: Complete the above product codes by adding the desired finish code to the end.

## Square Style Back-to-Back Handles

**NEW!**



Product Code  
**HS-6BTB**

**3/4" (19 mm) Diameter without Style Washers**

- Designed for 1/4" to 1/2" (6 to 12 mm) Glass
- Constructed of 3/4" (19 mm) Diameter Square Tubing
- Stainless Steel Installation Hardware
- Includes Allen Wrench for Installation
- Requires 1/2" (12 mm) Diameter Holes for Installation
- Available in 6" and 8" (152 and 203 mm) Center-to-Center Sizes

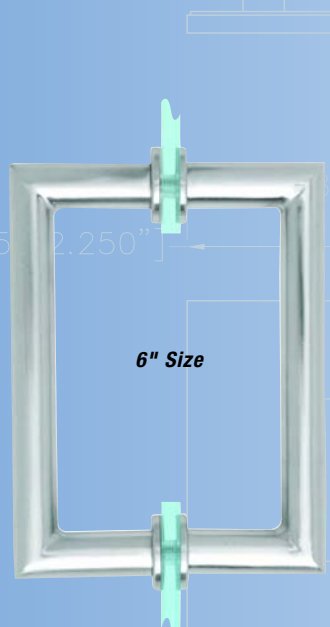
AVAILABLE IN ALL FINISHES, See Page 3



Product Code  
**HS-8BTB**

## Mitered Style Back-to-Back Handles

**NEW!**



Product Code  
**HM-6BTB**

**3/4" (19 mm) Diameter with Style Washers**

- Designed for 1/4" to 1/2" (6 to 12 mm) Glass
- Constructed of 3/4" (19 mm) Diameter Round Tubing with Mitered Corners
- Stainless Steel Installation Hardware
- Includes Allen Wrench for Installation
- Requires 1/2" (12 mm) Diameter Holes for Installation
- Available in 6" and 8" (152 and 203 mm) Center-to-Center Sizes

AVAILABLE IN ALL FINISHES, See Page 3

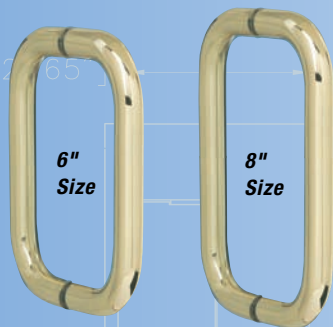


Product Code  
**HM-8BTB**

Note: Complete the above product codes by adding the desired finish code to the end.

## Standard Tubular Back-to-Back Handles

3/4" (19 mm) Diameter Without Style Washers



Product Code  
**H-6BTB**

Product Code  
**H-8BTB**

- Designed for 3/16" to 1/2" (5 to 12 mm) Glass
- 300 Series Stainless Steel Shoulder Bolts and Allen Set Screws
- Includes Allen Wrenches for Installation
- Requires 3/8" or 1/2" (10 or 12 mm) Diameter Holes for Installation
- Heavy Wall Tubular Brass/Stainless Steel Construction
- Available in 6" and 8" (152 and 203 mm) Center-to-Center Sizes

AVAILABLE IN ALL FINISHES, See Page 3



## Standard Tubular Back-to-Back Handles

3/4" (19 mm) Diameter With 1" (25 mm) Style Washers



Product Code  
**H-6BTBSW**

- Designed for 3/16" to 1/2" (5 to 12 mm) Glass
- 300 Series Stainless Steel Shoulder Bolts and Allen Set Screws
- Includes Allen Wrenches for Installation
- Requires 3/8" or 1/2" (10 or 12 mm) Diameter Holes for Installation
- Heavy Wall Tubular Brass/Stainless Steel Construction
- Available in 6" and 8" (152 and 203 mm) Center-to-Center Sizes

AVAILABLE IN ALL FINISHES, See Page 3



Product Code  
**H-8BTBSW**

## Standard Tubular Back-to-Back Handles

1" (25 mm) Diameter Without Style Washers

- Designed for 3/16" to 1/2" (5 to 12 mm) Glass
- 300 Series Stainless Steel Installation Hardware
- Includes Allen Wrenches for Installation
- Requires 3/8" or 1/2" (10 or 12 mm) Diameter Holes for Installation
- Heavy Wall Tubular Brass/Stainless Steel Construction
- Available in 6" and 8" (152 and 203 mm) Center-to-Center Sizes

AVAILABLE IN ALL FINISHES, See Page 3



Product Code  
**H-8X1BTB**

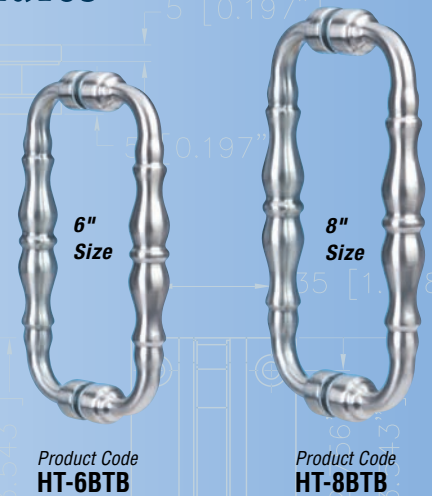
Note: Complete the above product codes by adding the desired finish code to the end.

## Traditional Series Solid Back-to-Back Handles

### Solid Brass Ornate Thru-Glass Handles

- Designed for 3/16" to 1/2" (5 to 12 mm) Glass
- 300 Series Stainless Steel Installation Hardware
- Includes Allen Wrenches for Installation
- Requires 3/8" or 1/2" (10 or 12 mm) Diameter Holes for Installation
- Solid Brass Construction
- Available in 6" and 8" (152 and 203 mm) Center-to-Center Sizes

AVAILABLE IN ALL FINISHES, See Page 3



## Standard Tubular Single Mount Handles

### 3/4" (19 mm) Diameter with 1" (25 mm) Style Washers

- Designed for 3/16" to 1/2" (5 to 12 mm) Glass
- Requires 3/8" or 1/2" (10 or 12 mm) Diameter Holes for Installation
- Heavy Wall Tubular Brass/Stainless Steel Construction
- Available in 6" and 8" (152 and 203 mm) Center-to-Center Sizes

AVAILABLE IN ALL FINISHES, See Page 3

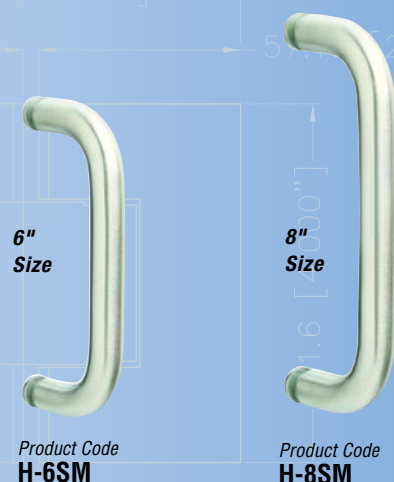


## Standard Tubular Single Mount Handles

### 3/4" (19 mm) Diameter without Style Washers

- Designed for 3/16" to 1/2" (5 to 12 mm) Glass
- Requires 3/8" or 1/2" (10 or 12 mm) Diameter Holes for Installation
- Heavy Wall Tubular Brass/Stainless Steel Construction
- Available in 6" and 8" (152 and 203 mm) Center-to-Center Sizes

AVAILABLE IN ALL FINISHES, See Page 3



Note: Complete the above product codes by adding the desired finish code to the end.



## Circular Back-to-Back Thru-Glass Handle

**3/4" (19 mm) Diameter without Style Washers**

- Designed for 3/16" to 1/2" (5 to 12 mm) Glass
- 300 Series Stainless Steel Installation Hardware
- Includes Allen Wrenches for Installation
- Requires 3/8" or 1/2" (10 or 12 mm) Diameter Holes for Installation
- Heavy Wall Tubular Brass/Stainless Steel Construction
- Available in 6" (152 mm) Center-to-Center Size

AVAILABLE IN ALL FINISHES, See Page 3



6"  
Size

Product Code  
HC-6BTB

## Circular Back-to-Back Thru-Glass Handle

**3/4" (19 mm) Diameter with 1" (25 mm) Style Washers**

- Designed for 3/16" to 1/2" (5 to 12 mm) Glass
- 300 Series Stainless Steel Installation Hardware
- Includes Allen Wrenches for Installation
- Requires 3/8" or 1/2" (10 or 12 mm) Diameter Holes for Installation
- Heavy Wall Tubular Brass/Stainless Steel Construction
- Available in 6" (152 mm) Center-to-Center Size

AVAILABLE IN ALL FINISHES, See Page 3



6"  
Size

Product Code  
HC-6BTBSW

## Acrylic Back-to-Back Thru-Glass Handles

**1" (25 mm) Diameter without Style Washers**

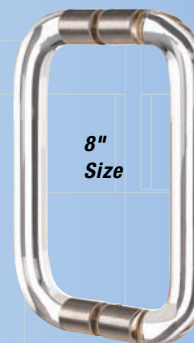
- Solid 1" (25 mm) Diameter Clear Acrylic with Finished Metal Collars
- Designed for 3/16" to 1/2" (5 to 12 mm) Glass
- Requires 3/8" or 1/2" (10 or 12 mm) Diameter Holes for Installation
- 300 Series Stainless Steel Installation Hardware
- Includes Allen Wrenches for Installation
- Available in 6", 8" and 10" (152, 203 and 254 mm) Center-to-Center Sizes

AVAILABLE IN ALL FINISHES, See Page 3



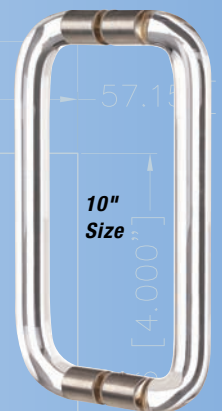
6"  
Size

Product Code  
HA-6BTB



8"  
Size

Product Code  
HA-8BTB



10"  
Size

Product Code  
HA-10BTB

Note: Complete the above product codes by adding the desired finish code to the end.